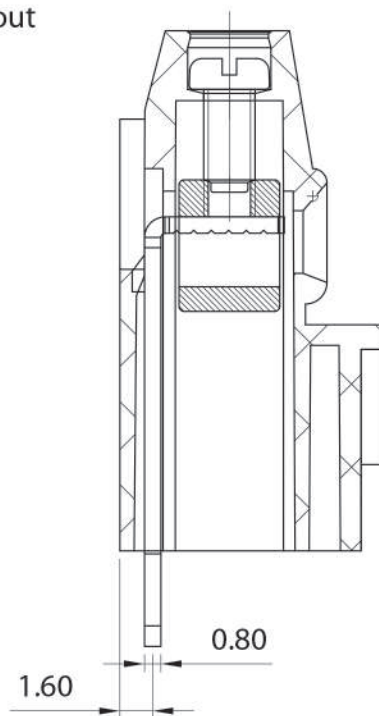
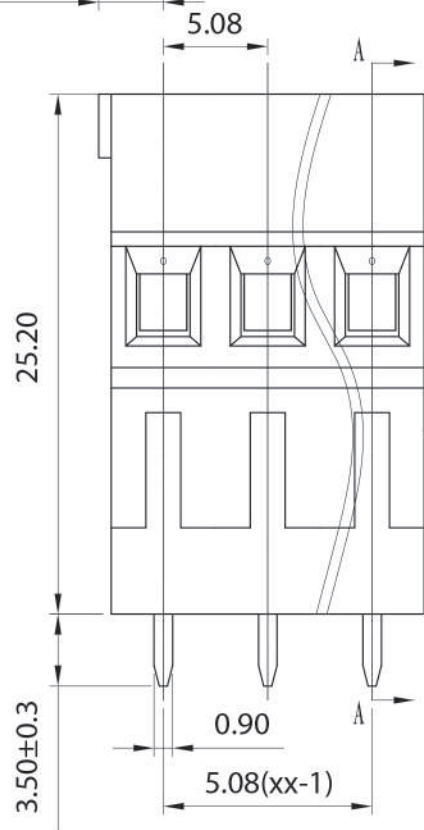
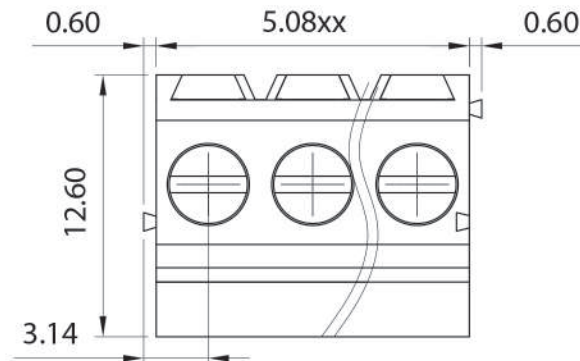


p.c.b. layout



SECTION A-A



Approvals



15A-300V

Electrical

| | |
|-----------------------|------------------------------|
| Rated voltage | 250V |
| Rated current | 18A |
| Contact resistance | 20mΩ |
| Insulation resistance | 500MΩ/DC500V |
| Withstanding voltage | AC1600V/1min |
| Wire range | 30-14 AWG 2,5mm ² |

| | |
|------------------|------------------|
| Torque | 0,4Nm (3.6Lb in) |
| Temp. Range | -40°C +105°C |
| Stripping lenght | 7 mm |
| Max sold. time | +250°C for 5 sec |

Dimensions

| | |
|-------|---------|
| Pitch | 5,08 mm |
| Poles | 2÷24 |

Material

| | |
|------------|-------------------------|
| Housing | PA66 UL94V0 |
| Pin | Copper Alloy, Sn plated |
| Cage | Copper Alloy, Ni plated |
| Screws | M2.5 steel, Zn plated |
| Side Block | |
| Nut screw | |
| Clamp | |

General description of ordering code

| Series | n. Poles | Pitch | Version | Color | Custom |
|--------|----------|-------|---------|-------|--------|
| MHH52 | 2÷24 | -5.08 | -V | | |

Version Date

01/2020 30/05/2020



linear dimension (Tolerances Standard GB/T 14486-2008)

| | | | | | | | | | | |
|----------------|-------|--------------|---------------|---------------|----------------|-----------------|-------------|-------|----------------|-------------|
| variable range | to 6 | over 6 to 10 | over 10 to 30 | over 30 to 60 | over 60 to 100 | over 100 to 160 | over 160 to | to 10 | over 10 to 100 | over 100 to |
| tolerance | ±0.20 | ±0.30 | ±0.50 | ±0.70 | ±1.00 | ±1.30 | ±1.60 | 0.10 | 0.30 | 0.60 |

UNITS: mm

SCALE: 10:1

SHEET SIZE: ISO A4



MHH52-5.08-V